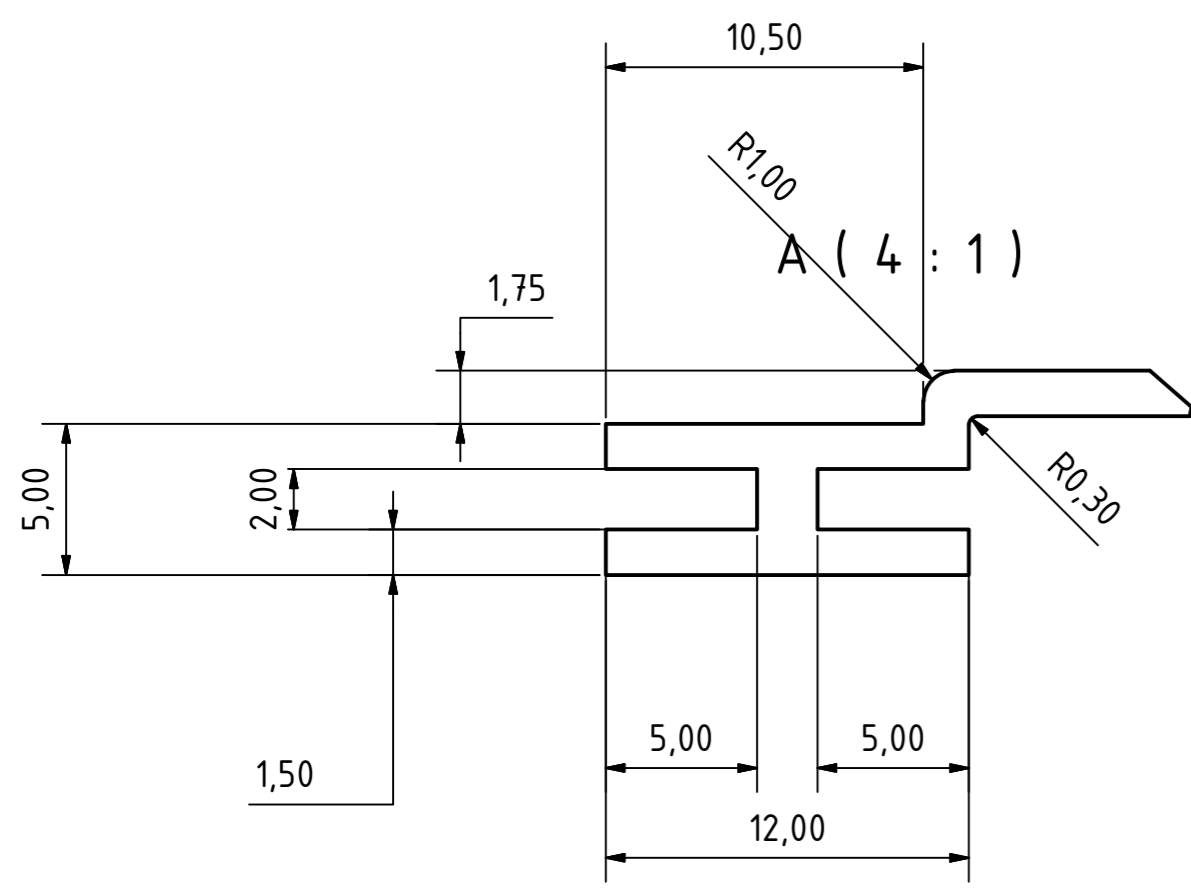
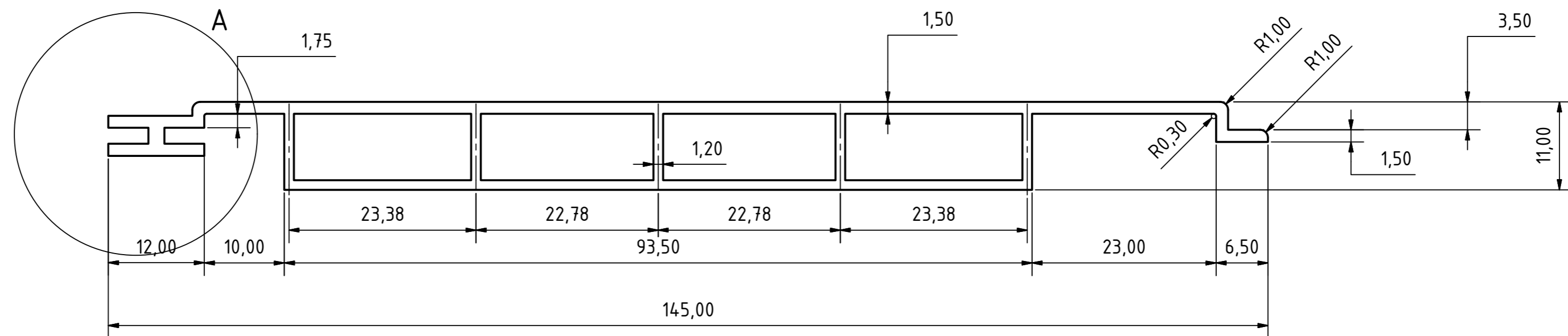
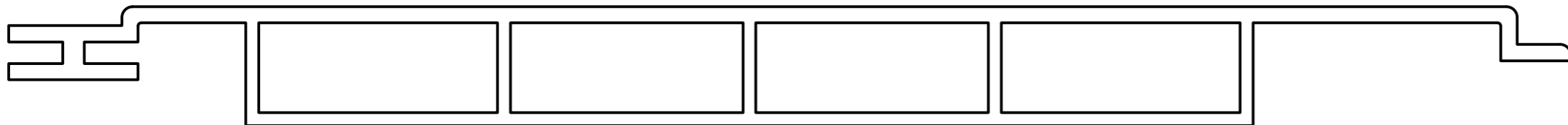


TABULKA	
Data	
Test Standard: GB/T 14846 - 2008	
Unspec. Corners: R 0,30 mm	
Unspec. Wall Thickness: 1,00 mm	
Exposed Surface:	
"*" Indicates Critical dimensions	
Unit of measure: mm	
Unmarked radiuses: R 0,30 mm	



Material:		Notes		Designer:
Surface treatment:				Control:
Weight:	1,108kg/m			Company:
Měrka				
Screening		Scale:	Format A3	Bill of material:
		Date:	Assembly	
		Product name		
		AXEL number		Sheet X