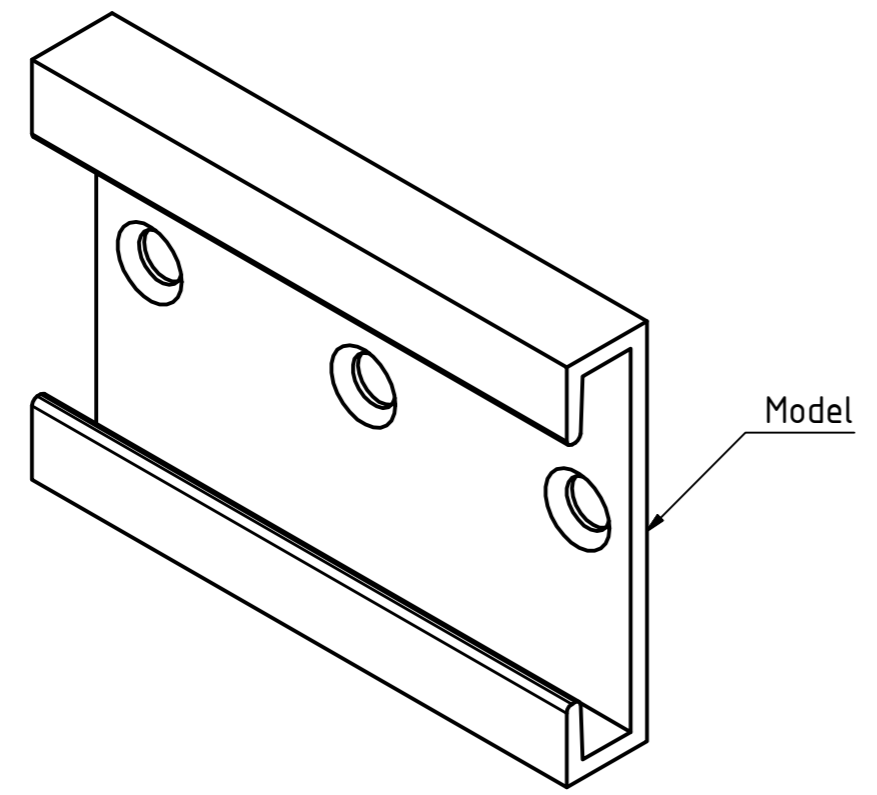
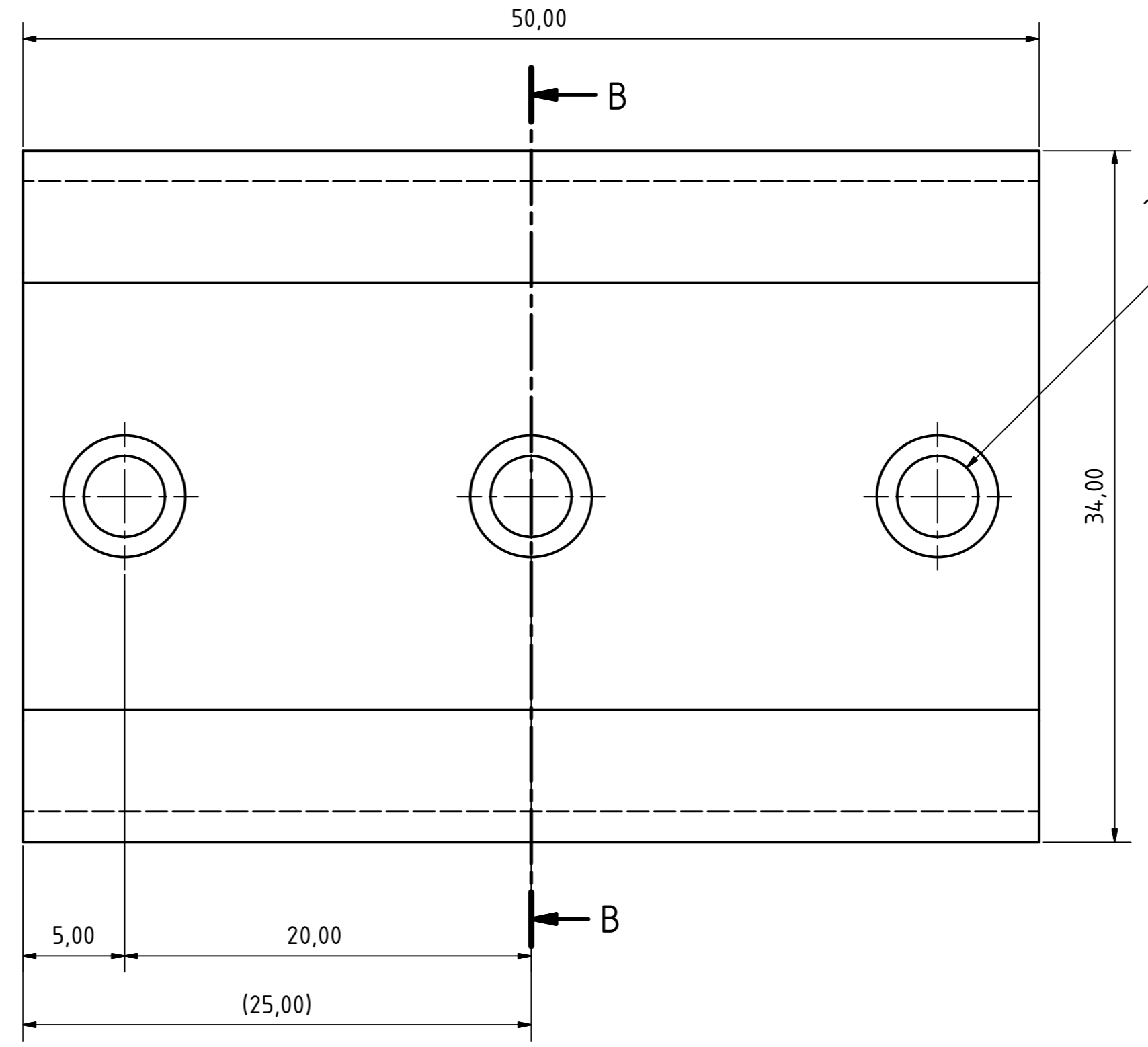
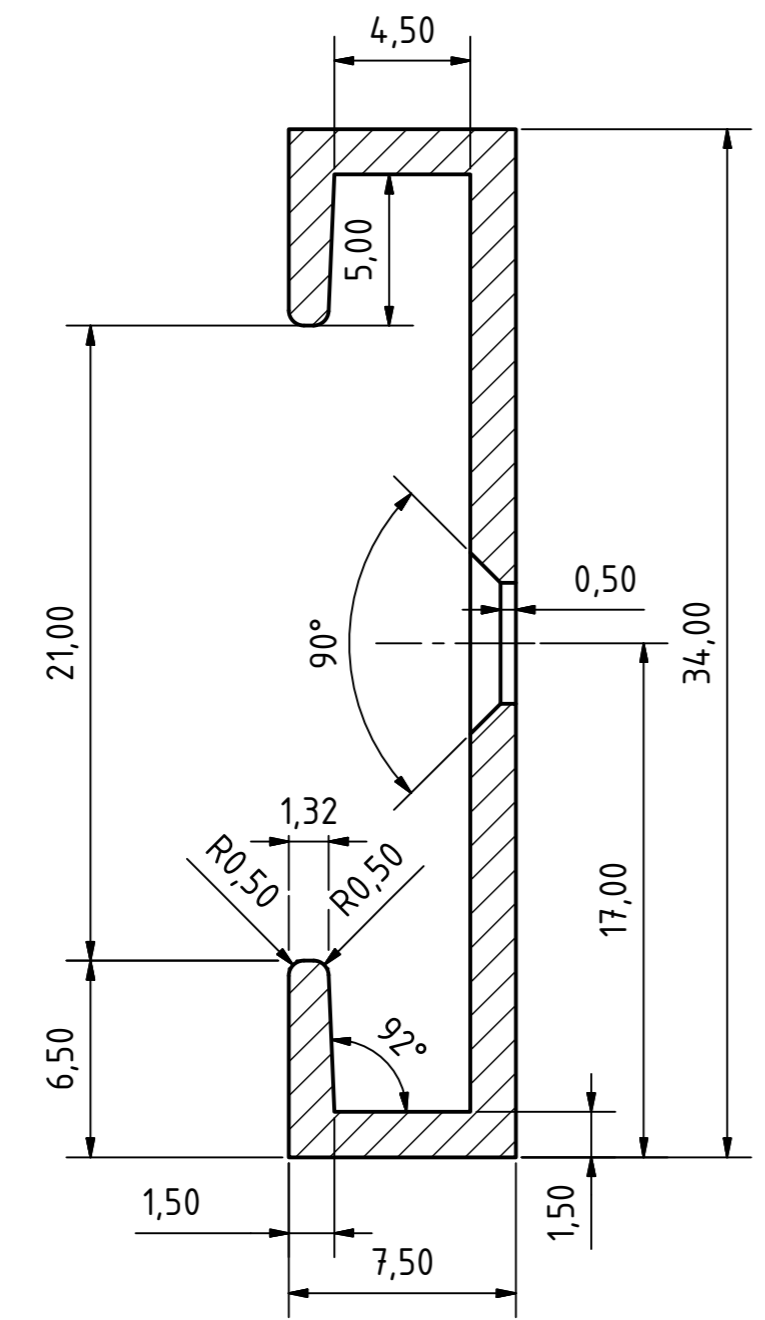


Table
Data
Test Standard: GB/T 14846 - 2008
Unspec. Corners: R 0,30 mm
Unspec. Wall Thickness: No
Exposed Surface:
"*" Indicates Critical dimensions
Unit of measure: mm
Unmarked radiuses: R 0,30 mm

B-B ( 4 : 1 )



Clip LV\_A\_25052016:

Surface treatment according to client's request  
Packing according to client's request

Material: ENAW 6063 - T5	Notes	Designer:	
Surface treatment: Mill finish		Control:	
Weight: 0,011 Kg		Company:	
Estimated weight: No			
Screening	Scale:	Format A3	Bill of material: No
	Date:	Assembly: No	
		Clip	
		LV_A_25052016	
		Sheet 1	

This drawing is our property and may not without our written permission be copied, reproduced, given to a third part or be used for other unauthorised purposes