

Die No

Temp. No

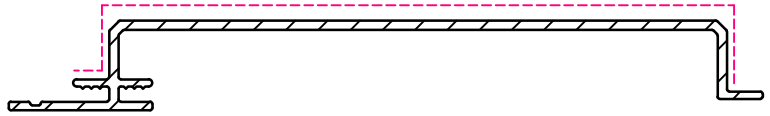
GC-3030

Profile name: FP1

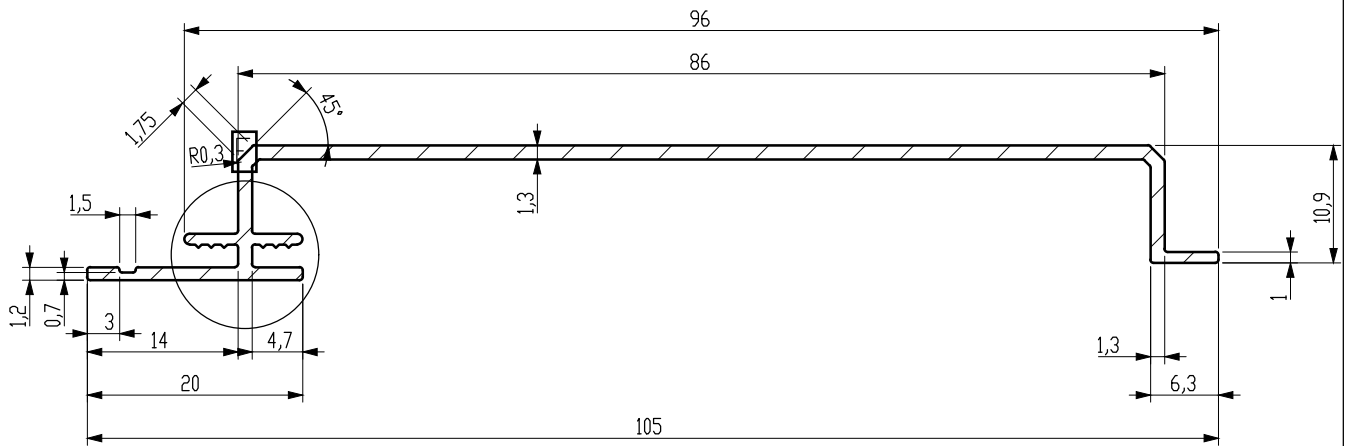
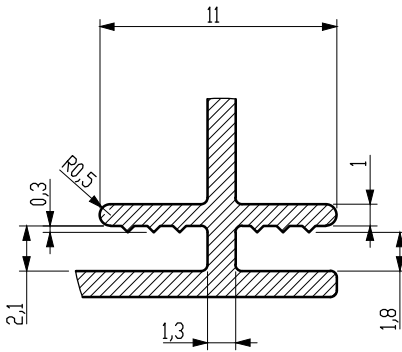
Date

18.03.2021

Visible Surface



View 1/1



Unspecified Radius 0,25 mm

Priority in profile shape inspection controls, width, length hole size, intermediate size and wall thickness

Date: 23.03.2021

Scale

1/1

Alloy

AlmgSi0,5 F-22

Draw:

Ing. Petr Saip

Coat Surface

279,9

Dim

105

Approval:

Radim Prachař

Area

174

Tolerance

TS EN 12020-2

Customer Approval:

Weight

0,471 kg/m

Format

A4

