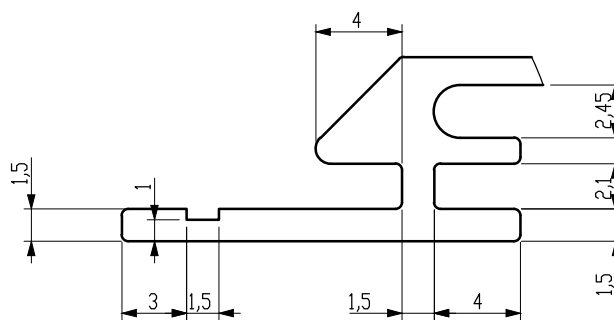
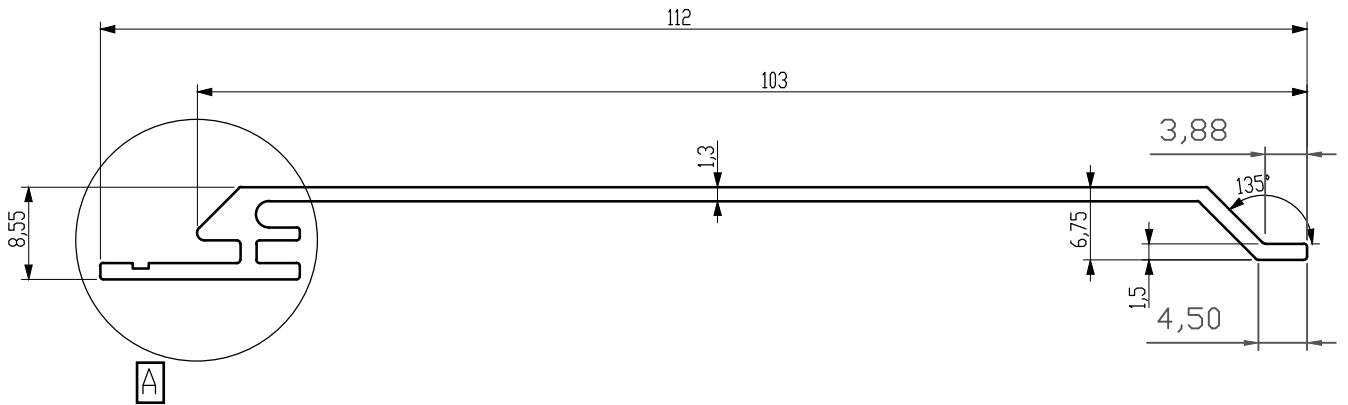


Visible Surface



Priority in profile shape inspection controls; width, length, hole size, intermediate size and wall thickness.

Unspecified Radius 0,25 mm

Scale

1/1 1,5/1

Alloy

AlmgSi0,5 F-22

Draw: Ing. Petr Saip

Coat Surface

P65

Du

☐

Approval: Radim Prachař

Area

187

Tolerance

TS EN 12020-2

Customer Approval:

Weight

0,507 kg/m

Rev. Date

00.00.0000