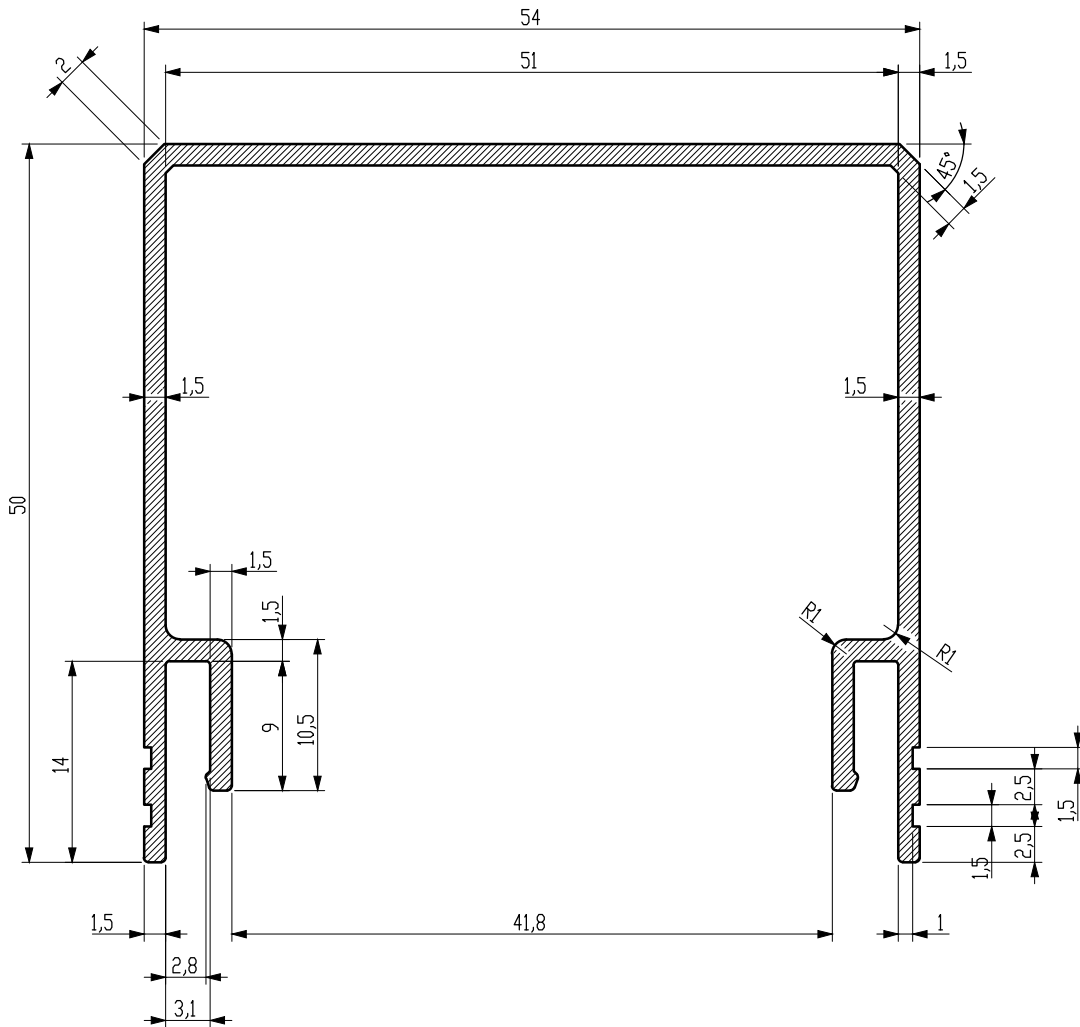
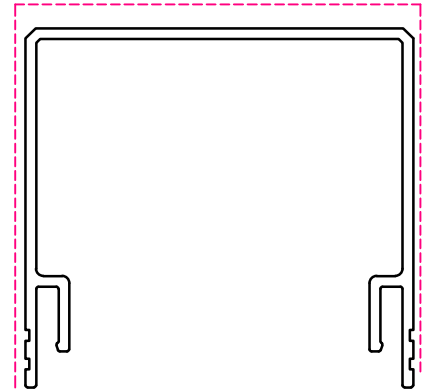


Visible Surface



Priority in profile shape inspection controls; width, length, hole size, intermediate size and wall thickness.

Unspecified Radius 0,3 mm

Scale

2/1

Alloy

AlmgSi0,5 F-22

Draw

Ing. Petr Saip

Coat Surface

358,3

Du

75

Approval:

Radim Prachar

Area

263

Tolerance

TS EN 12020-2

Customer Approval:

Weight

0,713 kg/m

Rev. Date

29.03.2021